

# Outdoor High Power Column Speaker CLSK-60H

## Feature:

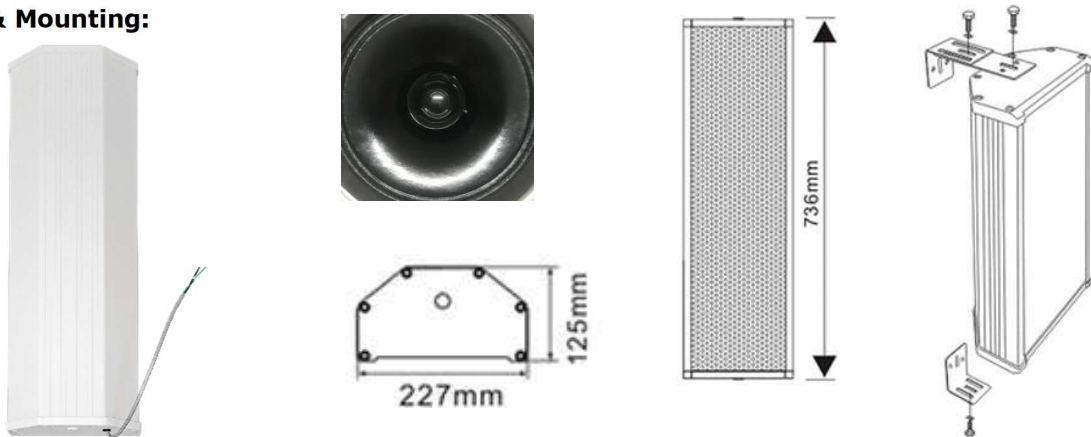
- Commercial public address (PA) system music & paging horn speaker with transformer.
- Ideal for outdoor music and speech use in factory, school, office, hotel and airport.
- High power rang weatherproof outdoor PA music column speaker.
- 3×6.5" waterproof paper woofer with tweeter cup.
- Rated power output 60W-30W at 100V.
- Waterproof level of IP66.
- Line input 100V or 70V by cable tail with waterproof gland.
- Aluminum alloy enclosure and stainless metal bracket in white.
- Quick installation by supplied stainless mounting bracket.



## Specification:

Model	CLSK-60H
Description	Outdoor High Power Column Speaker
Rated Power Output	60W-30W
Speaker	3×6.5" waterproof paper woofer with tweeter cup
Line Input	100V or 70V
Frequency Response	140-15KHz
SPL(@1W/m)	95dB
IP Rate	IP66
Connector	By speaker cable tail with waterproof gland
Dimension	736×227×125mm
Material	Aluminum alloy enclosure and stainless metal bracket in white
Mounting Way	Quick installation by supplied stainless mounting bracket
Net Weight	6.8kg

## Dimension & Mounting:



## Frequency & SPL Diagram:

