

EN54-24 Outdoor Horn Speaker HSK-15TSEN

Feature:

- Outdoor horn loudspeaker with transformer for voice alarm & evacuation system
- Ideal for outdoor paging and speech use in school, office, hotel and airport
- With EN54-24 certification and test report of CNBOP 1438-CPR-0840
- Junction box with ceramic connector, 95°C fire-resistant cable and thermal fuse
- Rated power output 15W/7.5W/3.75W/1.9W & 8 Ohm
- Waterproof level of IP66
- Line input 100V or 70V by cable tail
- ABS enclosure and stainless aluminum bracket in white
- Quick installation by supplied stainless mounting bracket

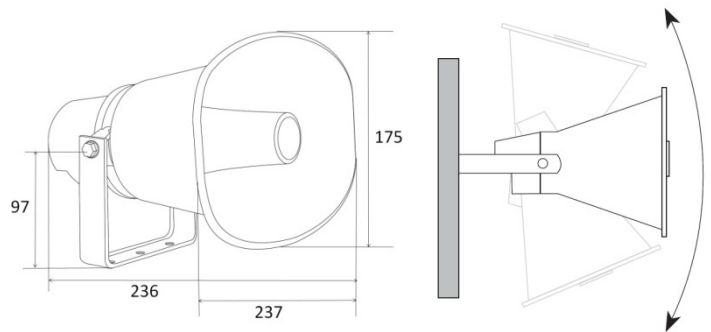


**EN54-24
1438-CPR-0840**

Specification:

Model	HSK-15TSEN
Description	EN54-24 Outdoor Horn Speaker
Rated Power Output	15W/7.5W/3.75W/1.9W & 8 Ohm
Line Input	100V or 70V
Frequency Response	400-8KHz
SPL(@1W/m)	110dB
IP Rate	IP66
Connector	By speaker cable tail
Dimension	237×175×236mm
Material	ABS enclosure and stainless aluminum bracket in white
Mounting Way	Quick installation by supplied stainless mounting bracket
Weight	1.4kg

Side View, Dimension and Mounting:



Frequency Response & SPL Diagram:

