

EN54-24 Wall Mount Speaker WSK-640HEN

Feature:

- Compliant with the EN54-24 standards
- Commercial public address speaker with transformer
- Ideal for school, office, hotel and airport background music system
- Power output 40-20-10-5W & 8Ω
- 6.5" woofer and 1.5" silk tweeter two way speaker system
- ABS fire-resistant enclosure, metal grille in black
- Fire-resistant phoenix terminal, thermal fuse and 95°C fire-resistant cable
- Quick installation by supplied stainless mounting bracket

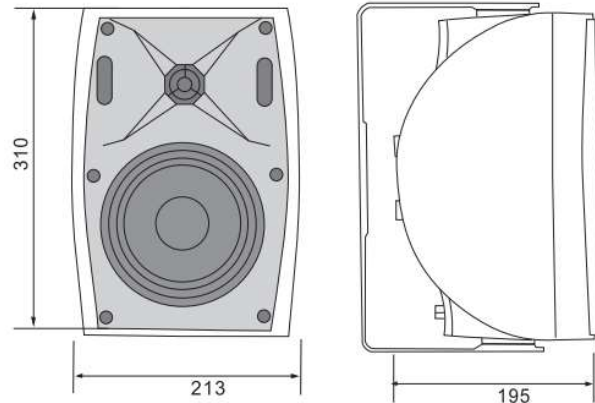
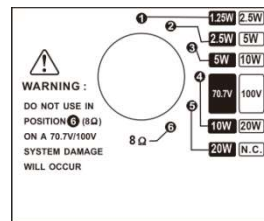


EN54-24

Specification:

| | |
|--------------------|---|
| Model | WSK-640HEN |
| Description | EN54-24 Wall Mount Speaker |
| Power Taps | 40-20-10-5W & 8Ω |
| Line Input | 100V or 70V & 8Ω |
| Frequency Response | 100-20KHz |
| SPL(@1W/m) | 90±3dB |
| IP Rate | IP55 waterproof rate |
| Speaker Unit | 6.5" woofer and 1.5" silk tweeter two way speaker system |
| Dimension | 310×213×195mm |
| Material | ABS fire-resistant enclosure, metal grille in black |
| Mounting Way | Quick installation by supplied stainless mounting bracket |
| Net Weight | 3.7kg |

Side View & Dimension:



Impedance VS SPL Diagrams:

